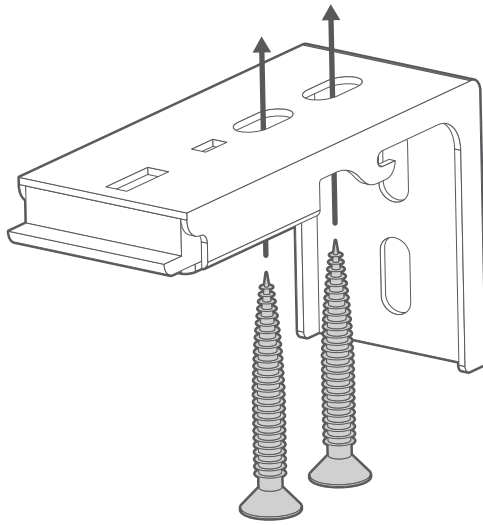


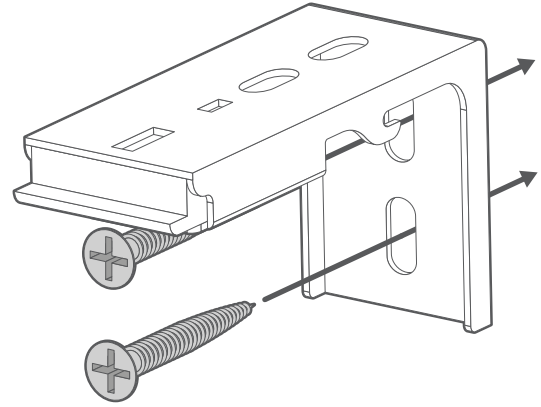
Install the brackets

1

The brackets offer two methods of fitting:



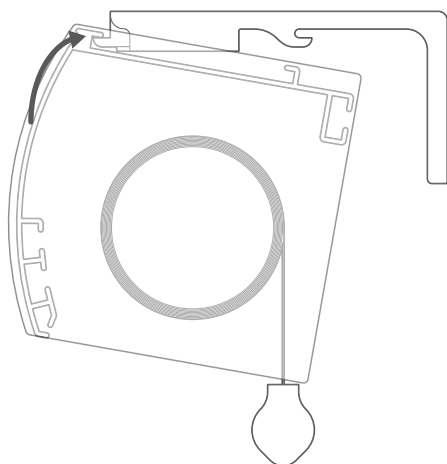
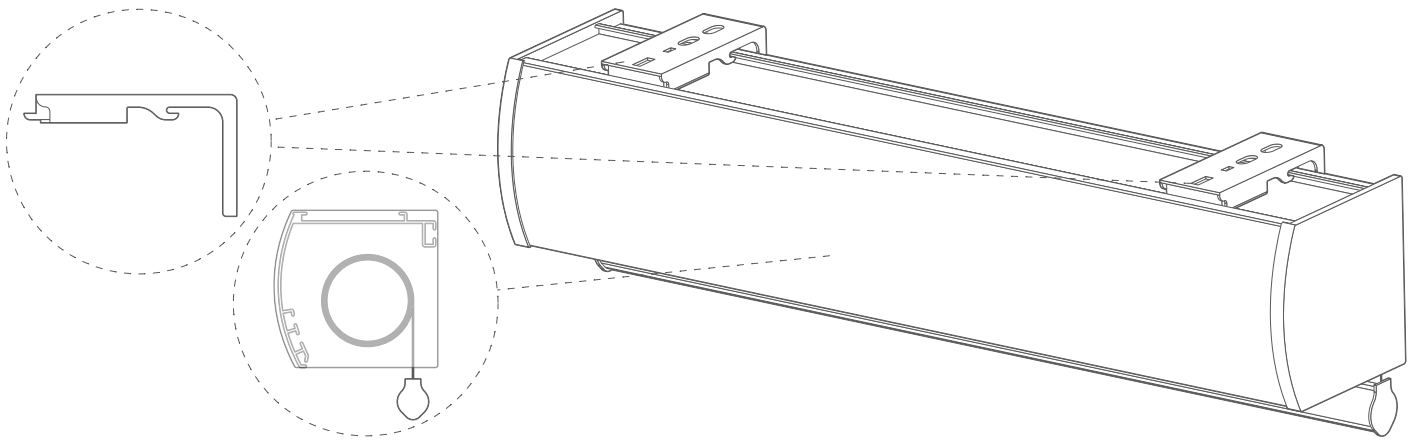
Top-fix



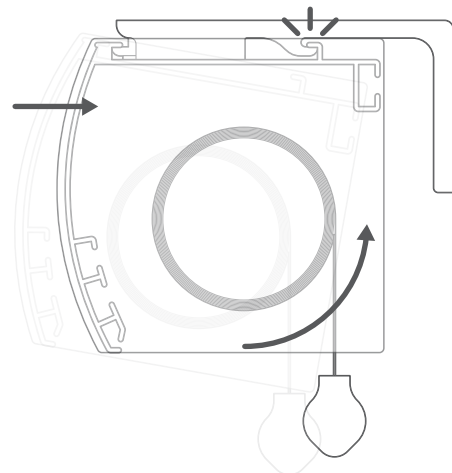
Face-fix

Install the blind

2



Hook the the 'lip' at the front of the blind's cassette onto the front hook of the bracket.



Push the blind back against the bracket whilst raising the back of the cassette. Push up into the bracket until it 'snaps' into place.