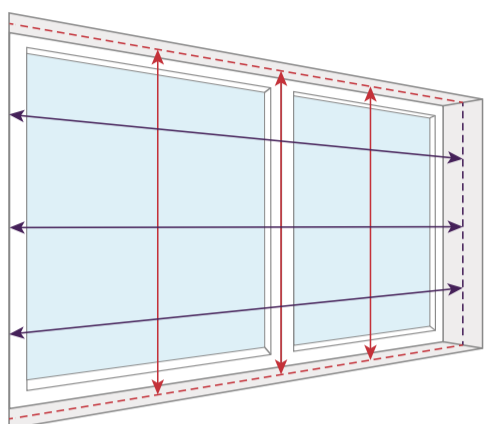


Measuring for your new blinds is easier than you might think! All you have to do is follow our simple tips, double-check everything you do, and set aside some time to do it. Below is a handy guide for measuring for **Soft Raise Roller Blinds**.

Recess fitting

If you want your blind to fit **inside the window recess**.

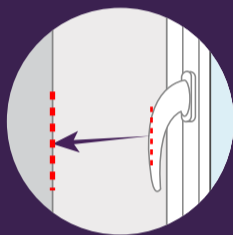
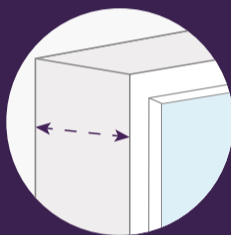


Measure the full width and height of the recess [the size of the hole if you like] and we will make the appropriate deductions to ensure a perfect fit.

- **Measure in 3 places** for both the width and the drop, **use the smallest measurement**
- **Don't make any deductions**, we'll deduct 10mm from the width to ensure your blind fits perfectly
- **Use a metal tape measure**, cloth ones can stretch and give you inaccurate measurements

Top-Tip:

Check that your recess is deep enough to fit the blind into, also bearing in mind any obstructions such as handles.

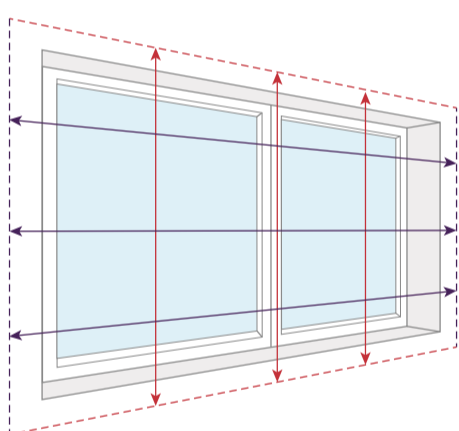


Soft Raise
Roller Blind Depth

95mm

Exact fitting

If you want your blind to fit **outside the window recess**.

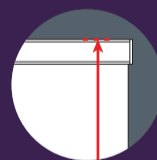


Measure the full width and height of the recess [the size of the hole if you like] and add a little extra to the top and to each side, we will make the blind to the size you specify with no deductions

- To minimize light leakage **we recommend that the blind overlaps the window recess by at least 70mm at the top and 50mm each side**
- The overlap at the bottom of the blind is a matter of personal choice but please **take into account obstacles** such as radiators

Top-Tip:

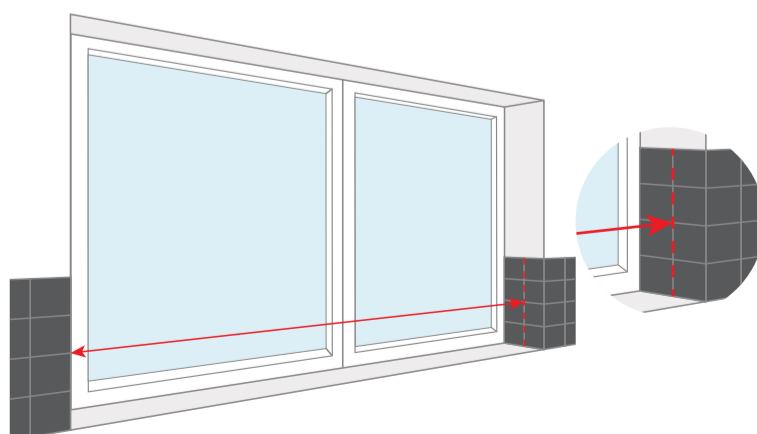
If you are **replacing an existing blind** with one of the same size, simply measure the blind (including its fittings) and specify exact fitting, we will make you one the same size.



Measuring Tips for Other Windows

Fitting inside a part-tiled recess

If you have tiles part-way up your recess (often the case in kitchens and bathrooms) then the space between them is most likely to be the narrowest point in the recess.



Measure between the tiles to ensure your blind will fit.

Top-Tip:

Do the same if you have a picture rail, skirting board or other items on the inside of the recess.